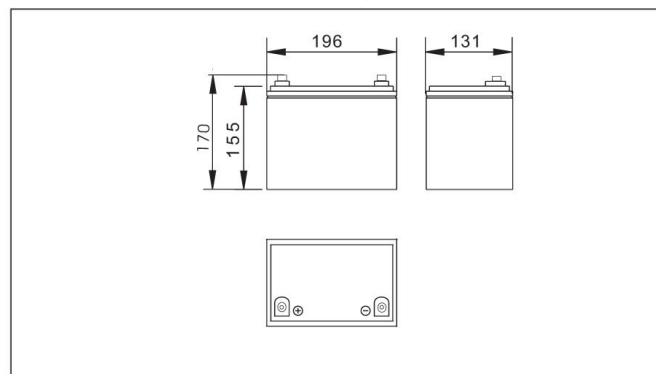


(12V35AH)



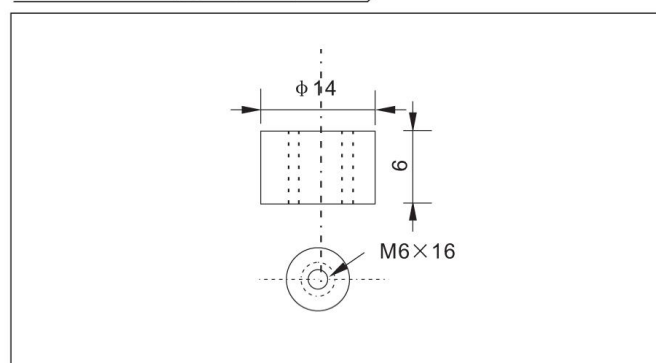
● Outer dimensions (mm)



● Specifications

Nominal Voltage		12V
Rated capacity (10 hour rate)		35 Ah
Dimensions	Total Height	170 mm (6.69 inches)
	Height	155 mm (6.10 inches)
	Length	196 mm (7.70 inches)
	Width	131mm (5.16 inches)
Weight Approx		10.5Kg (23.1lbs)

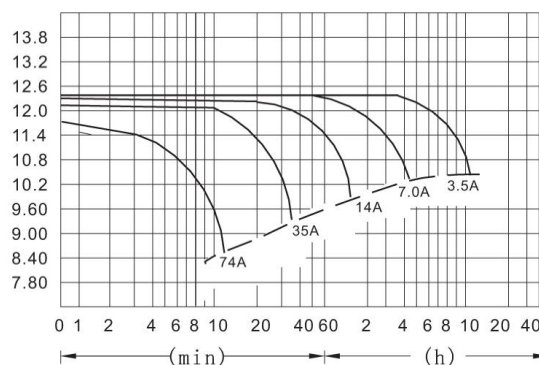
● Terminal Type (mm)



● Characteristics

Capacity 25°C(77°F)	10 hour rate(3.5 A)	35.0 AH
	5 hour rate(5.60A)	28.0AH
	1 hour rate(21 A)	21 AH
	1.5 hour discharge to 10.5V	14 A
Internal Resistance	Full charged Battery at 25°C(77°F)	7 mΩ
Capacity affected by Temperature (10hour rate)	40°C(104°F)	102%
	25°C(77°F)	100%
	0°C(32°F)	85%
	-15°C(5°F)	65%
Self-Discharge at 25°C(77°F)	Capacity after 3 month storage	91%
	Capacity after 6 month storage	82%
	Capacity after 12 month storage	64%
Terminal		T9、T16
Charge (constant Voltage)	Cycle	Initial Charging Current less than 14 A Voltage 14.10-14.40V
	Float	Voltage 13.50-13.80V

● Discharge Curves 25°C(77°F)



Constant Current(Amp) and Constant Power(Watt) Discharge Table at 25°C(77°F)

Time		5min	10min	15min	30min	1h	2h	3h	4h	5h	8h	10h	20h
9.60V	A	112	73.9	59.5	39.9	21.0	12.3	9.00	7.00	5.78	4.10	3.68	1.98
	W	1157	789	638	429	227	135	100	78.8	65.7	46.9	42.4	23.1
10.20V	A	109	66.6	56.1	38.2	19.7	11.7	8.75	6.83	5.67	3.99	3.61	1.93
	W	1160	744	627	428	223	135	101	79.4	66.1	46.7	42.4	22.6
10.50V	A	105	59.6	49.0	35.7	19.1	11.4	8.54	6.72	5.60	3.96	3.54	1.93
	W	1147	678	560	411	221	132	99.5	78.6	65.7	46.5	41.8	22.8
10.80V	A	101	56.2	45.6	32.9	18.5	11.1	8.33	6.62	5.46	3.85	3.50	1.89
	W	1136	648	525	381	215	130	98.2	78.1	64.5	45.6	41.6	22.5
11.10V	A	97.8	52.6	42.1	29.4	17.9	10.9	8.05	6.44	5.32	3.75	3.33	1.79
	W	1109	610	490	344	210	128	95.6	76.7	63.5	44.9	40.1	21.6