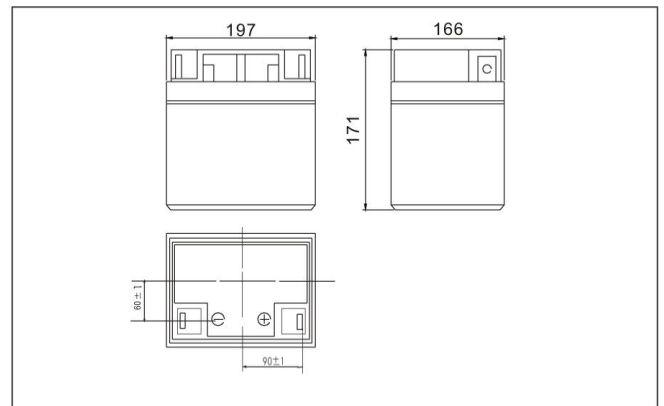


(12V44AH)



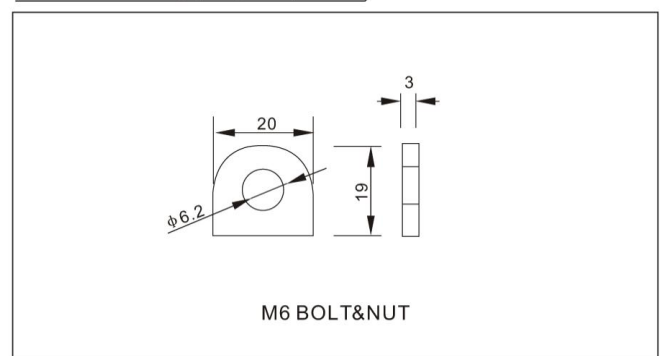
● Outer dimensions (mm)



● Specifications

Nominal Voltage		12V
Rated capacity (10 hour rate)		44 Ah
Dimensions	Total Height	171 mm (6.73 inches)
	Height	171 mm (6.73 inches)
	Length	197 mm (7.73 inches)
	Width	166mm (6.54 inches)
Weight Approx		13.8 Kg (30.39 lbs)

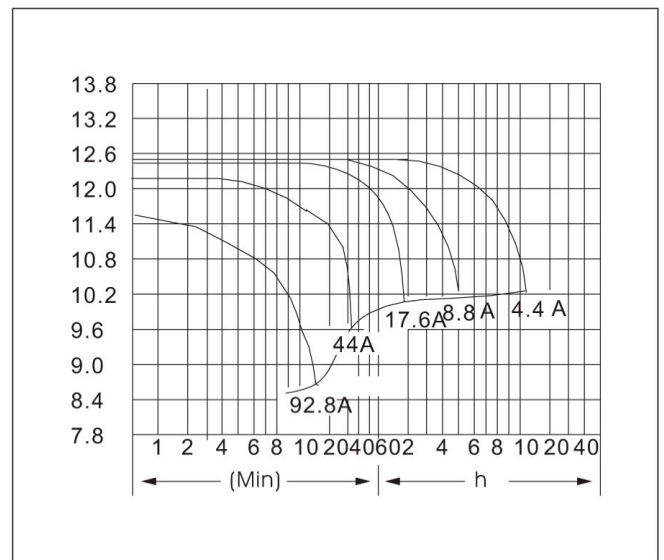
● Terminal Type (mm)



● Characteristics

Capacity 25°C(77°F)	10 hour rate(4.40 A)	44.0 AH
	5 hour rate(7.04 A)	35.2 AH
	1 hour rate(26.4 A)	26.4 AH
	1.5 hour discharge to 10.5V	17.6 A
Internal Resistance	Full charged Battery at 25°C(77°F)	9 mΩ
Capacity affected by Temperature (10hour rate)	40°C(104°F)	102%
	25°C(77°F)	100%
	0°C(32°F)	85%
	-15°C(5°F)	65%
Self-Discharge at 25°C(77°F)	Capacity after 3 month storage	91%
	Capacity after 6 month storage	82%
	Capacity after 12 month storage	64%
Terminal		T9
Charge (constant Voltage)	Cycle	Initial Charging Current less than 17.6 A Voltage 14.10-14.40V
	Float	Voltage 13.50-13.80V

● Discharge Curves 25°C(77°F)



Constant Current(Amp) and Constant Power(Watt) Discharge Table at 25°C(77°F)

Time		5min	10min	15min	30min	1h	2h	3h	4h	5h	8h	10h	20h
9.60V	A	141	93	75	50.2	26.4	15.4	11.3	8.8	7.3	5.15	4.62	2.49
	W	1454	992	802	539	285	169	126	99	83	59	53	29.0
10.20V	A	136	84	70	48.0	24.8	14.7	11.0	8.6	7.1	5.02	4.53	2.42
	W	1458	935	789	538	281	169	127	100	83	59	53	28.4
10.50V	A	132	75	62	44.9	24.0	14.3	10.7	8.4	7.0	4.97	4.44	2.42
	W	1442	852	703	516	278	166	125	99	83	58	53	28.6
10.80V	A	127	71	57	41.4	23.2	14.0	10.5	8.3	6.9	4.84	4.40	2.38
	W	1428	814	660	479	270	164	123	98	81	57	52	28.3
11.10V	A	123	66	53	37.0	22.4	13.6	10.1	8.1	6.7	4.71	4.18	2.24
	W	1395	766	616	432	264	161	120	96	80	56	50.5	27.2