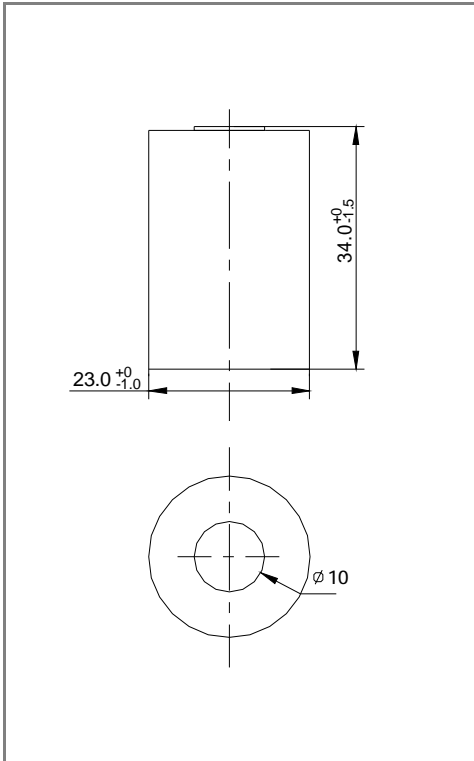
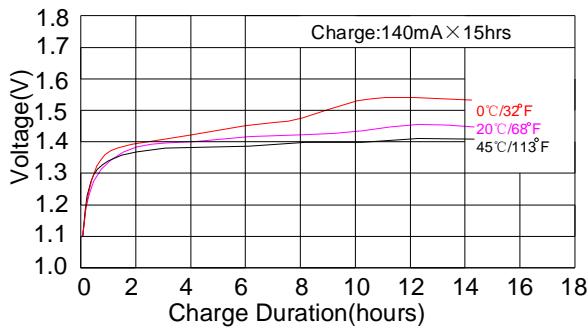


D-4/5SC1400P Specifications

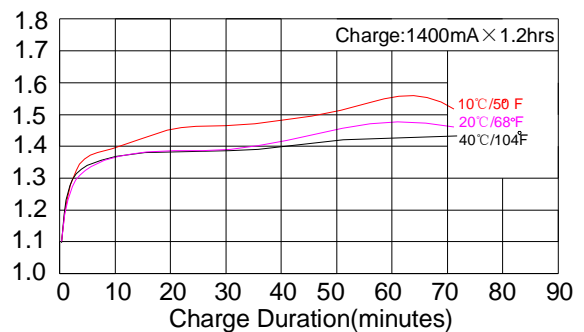


Nominal Capacity	1400mAh
Nominal Voltage	1.2V
Internal Impedance (at 1000Hz)	< 10mΩ
Charge	
Standard Charge	140mA x 15h
Rapid Charge	1400mA x 1.2h
Discharge Cut-off Voltage	1.0V
Max Dimension (with tube)	
Diameter	23.0mm
Height	34.0mm
Weight	41 g
Operating Temperature	
Charge	0 ~ 45°C
Discharge	-20 ~ 60°C
Storage Temperature	
Within 1 month	-5 ~ 35°C
Within 6 months	0 ~ 35°C

Standard charge characteristics



Rapid charge characteristics



Discharge characteristics

