

**Keyword:**  
**XOL – Extended Operating Life**

**Model: SL-2880**

**Performance Data** (Typical values for batteries stored at 25 °C for one year)

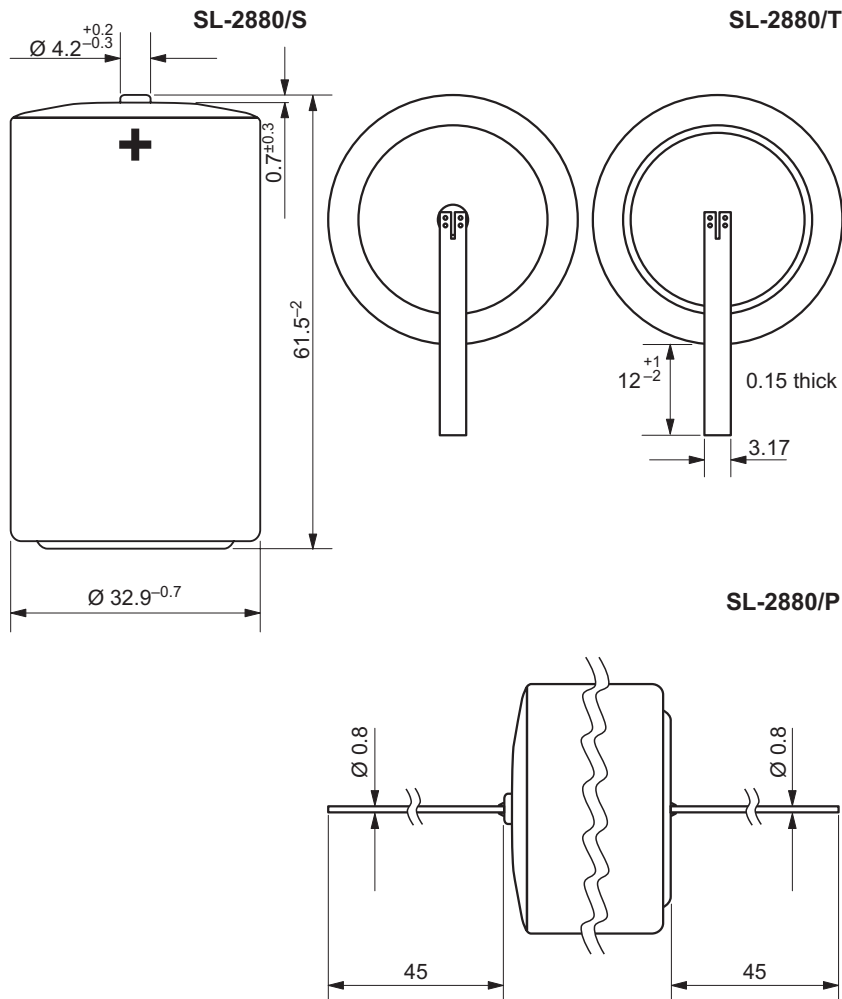
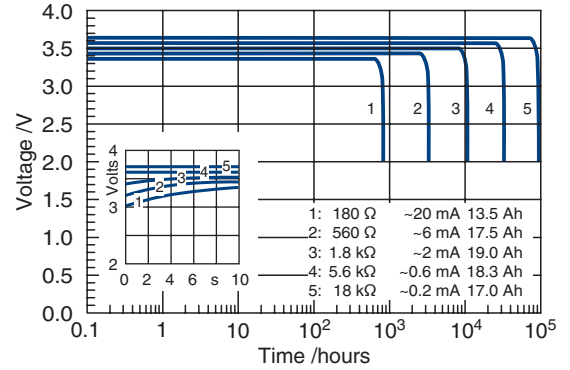
Performance Data	Size D
System	Li/SOCl <sub>2</sub>
Nominal voltage	3.6 V
Nominal capacity	19 Ah
Nominal current	4 mA
Max. continuous discharge current	100 mA
Max. pulse current capability	250 mA
Anode surface area	45 cm <sup>2</sup>
Lithium content	5 g
Weight	93 g
Volume	51 cm <sup>3</sup>
Temperature range	-55...+85 °C

**WARNING:**  
 Fire, explosion, and severe burn hazard. Do not recharge, disassemble, heat above 100 °C, incinerate, or expose contents to water.

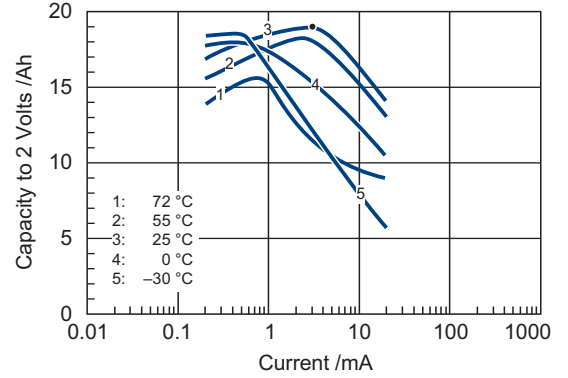
UL recognition under file MH 12827

See also our website under Products/Safety

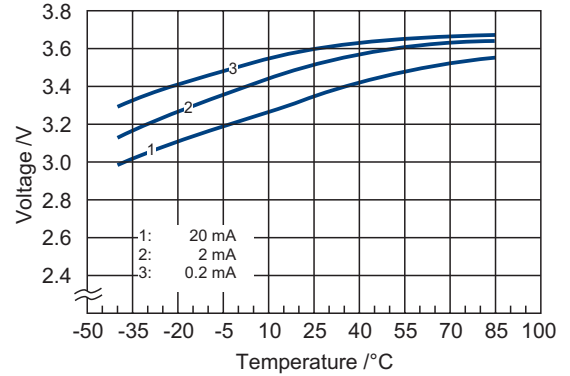
**Typical Discharge Curves at +25 °C**



**Available Capacity**



**Operating Voltage**



**Available Terminations**

SL-2880/S	Standard
SL-2880/T	Tags
SL-2880/P	Pins

**Catalogue No.**

11 2 18801 00
11 2 18802 00
11 2 18803 00

Any values given here are for information purposes only. They also depend on actual conditions of use and are not warranties of future performance. Subject to change.